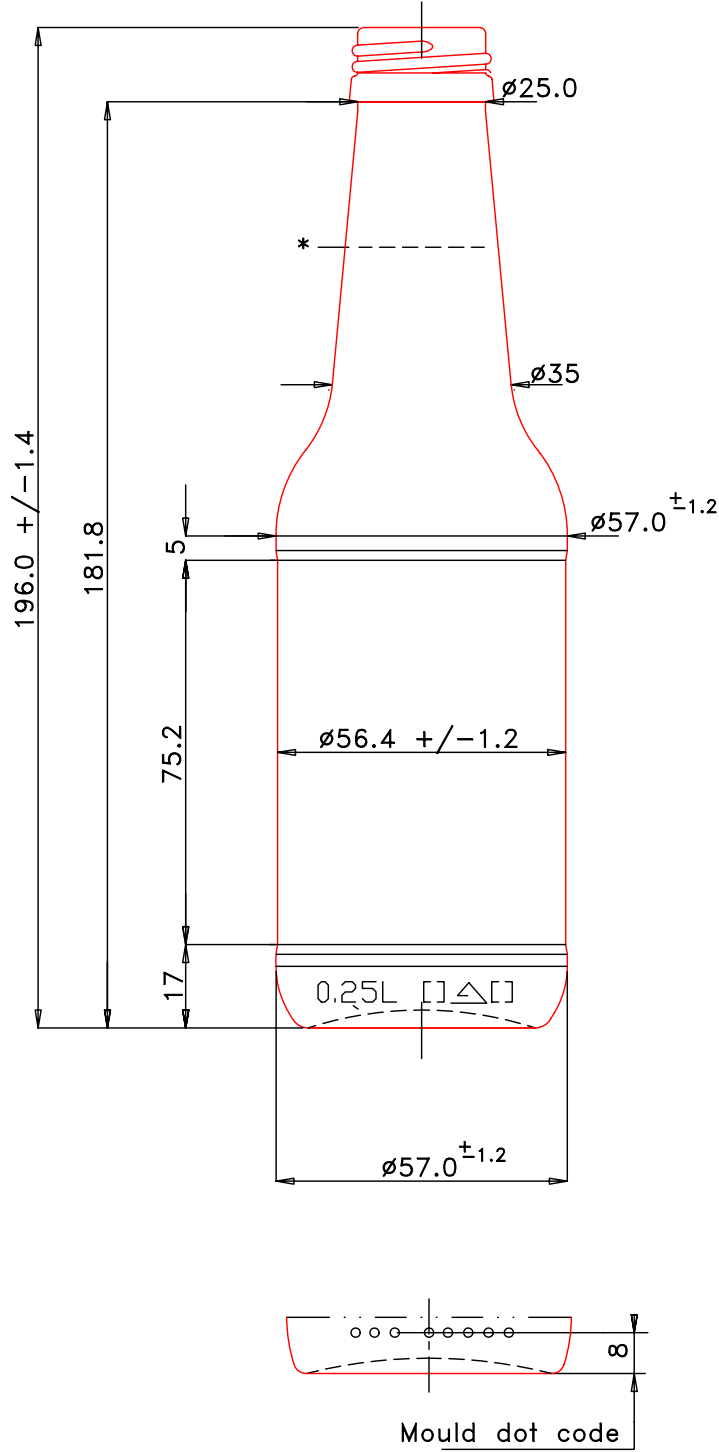


DO NOT SCALE DRAWING

PHOENICIA GLASSWORKS LTD

All rights relating to this design and any other design, sample or product, drawn, manufactured or derived therefrom are reserved to Israel Glass Works "PHOENICIA LTD". No part of the above or any proprietary information related thereto may be reproduced, transmitted or used in any form or by any means, without the prior written consent of Israel Glass Work "PHOENICIA".



FILL LINE CAPACITY	250	±	mis.	FILL HEIGHT	~43mm	WEIGHT	~175	gms	DRAWN	CHECKED	DATE	1 Approved
CAPACITY LEVEL FULL	267	+ / - 6	mis.	FINISH	28 PP MCA-2	COLOUR	FLINT				23.02.2015	REVISIONS
REF.No. M3476-A1												DRG.No. 3476-202
CONTAINER 250 ml.FRUTTI												