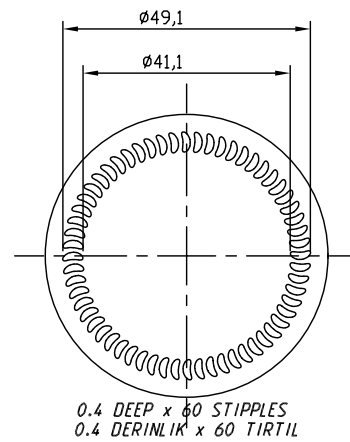
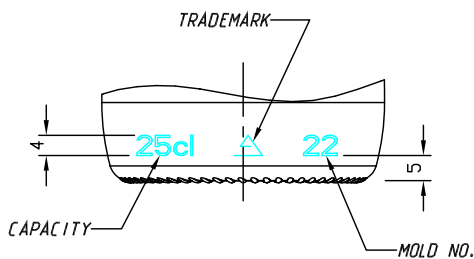
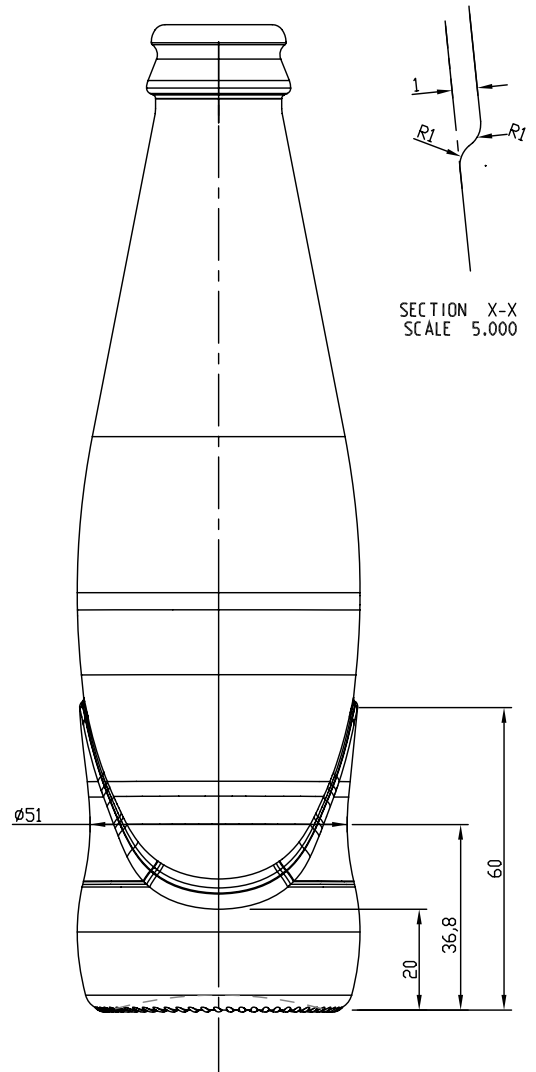
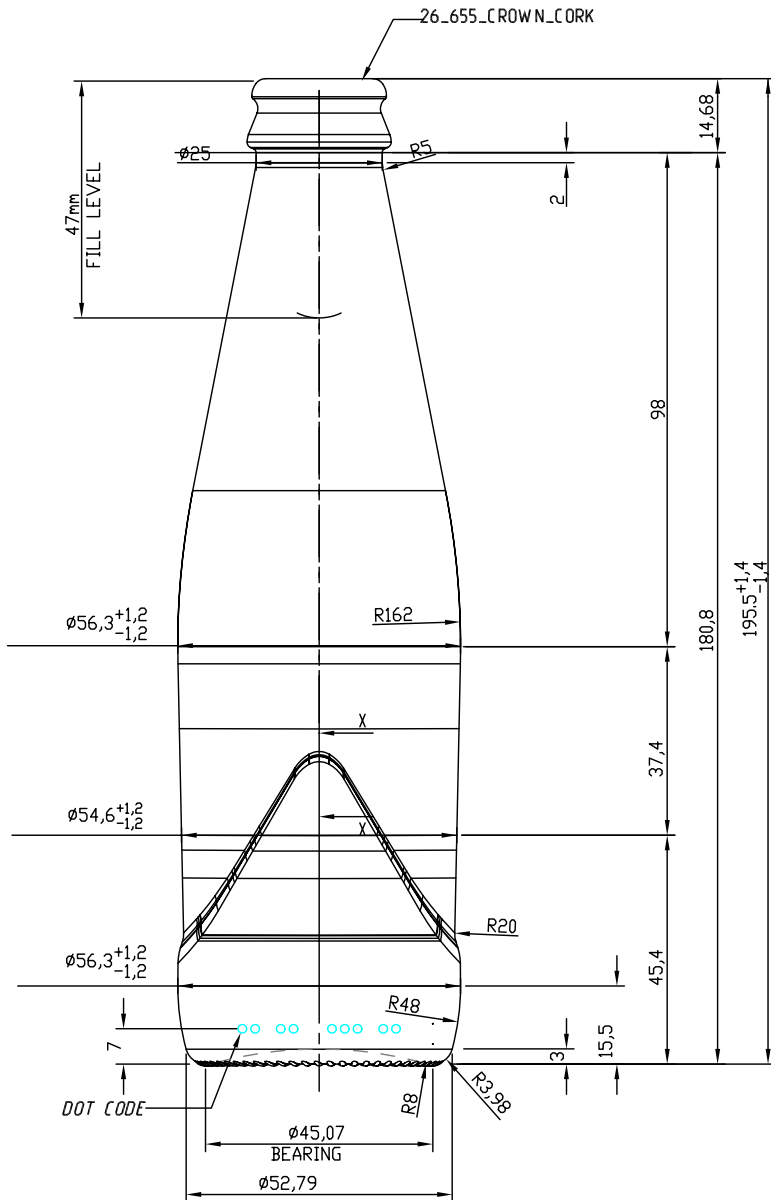



PHOENICIA פִּינִיכְיָה
PHOENICIA GLASSWORKS LTD



All rights relating to this design and any other design, sample or product, drawn, manufactured or derived therefrom are reserved to Israel Glass Works "PHOENICIA LTD". No part of the above or any proprietary information related thereto may be reproduced, transmitted or used in any form or by any means, without the prior written consent of Israel Glass Work "PHOENICIA".

FILL LINE CAPACITY 250 mls.			
CAPACITY LEVEL FULL 270 +/-6 mls.			
FINISH	26_CROWN	COLOUR	FLINT
WEIGHT	~190gr	DRAWN	CHECKED
DATE	2.04.2013	sbz	b.z.s

DRG.No. 3469-008

REF.No.
M2021-A2-008

CONTAINER
250 ml.SODA WATER