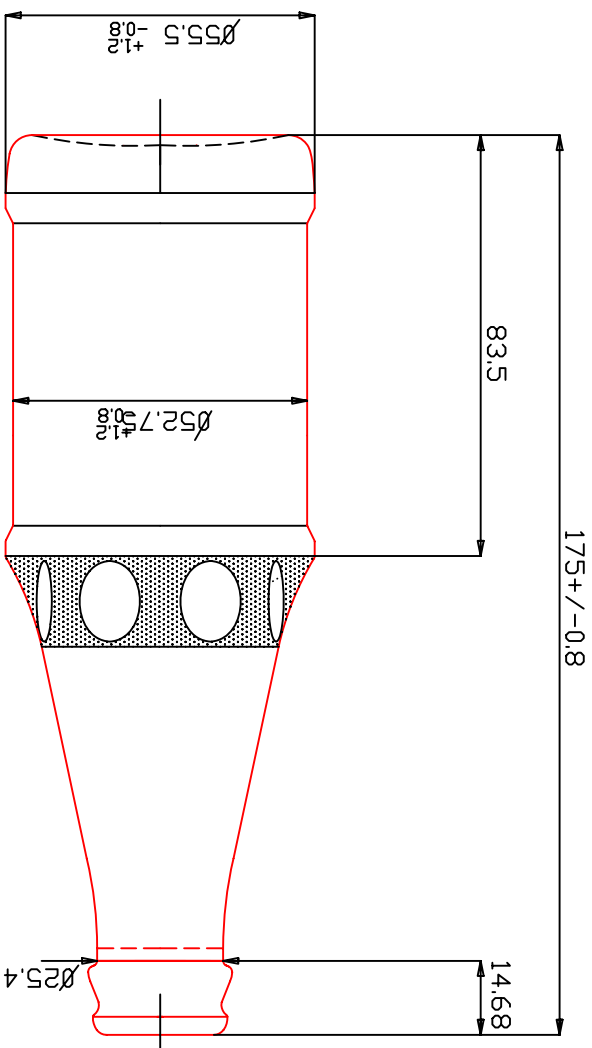


DO NOT SCALE DRAWING



FILL LINE CAPACITY	200	±	mls.	FILL HEIGHT	655 CROWN	WEIGHT	180+/-10	gms	DRAWN	CHECKED	DATE	1
CAPACITY LEVEL FULL	212.7+/-3.5		mls.	FINISH	REF.No.	COLOUR	FLINT		s.b.z	B.Z.S	13/8/02	
C□CA-C□LA												
CONTAINER 200 ml. MULTIPRODUCT												
DRG.No. 3450-008												

REVISIONS