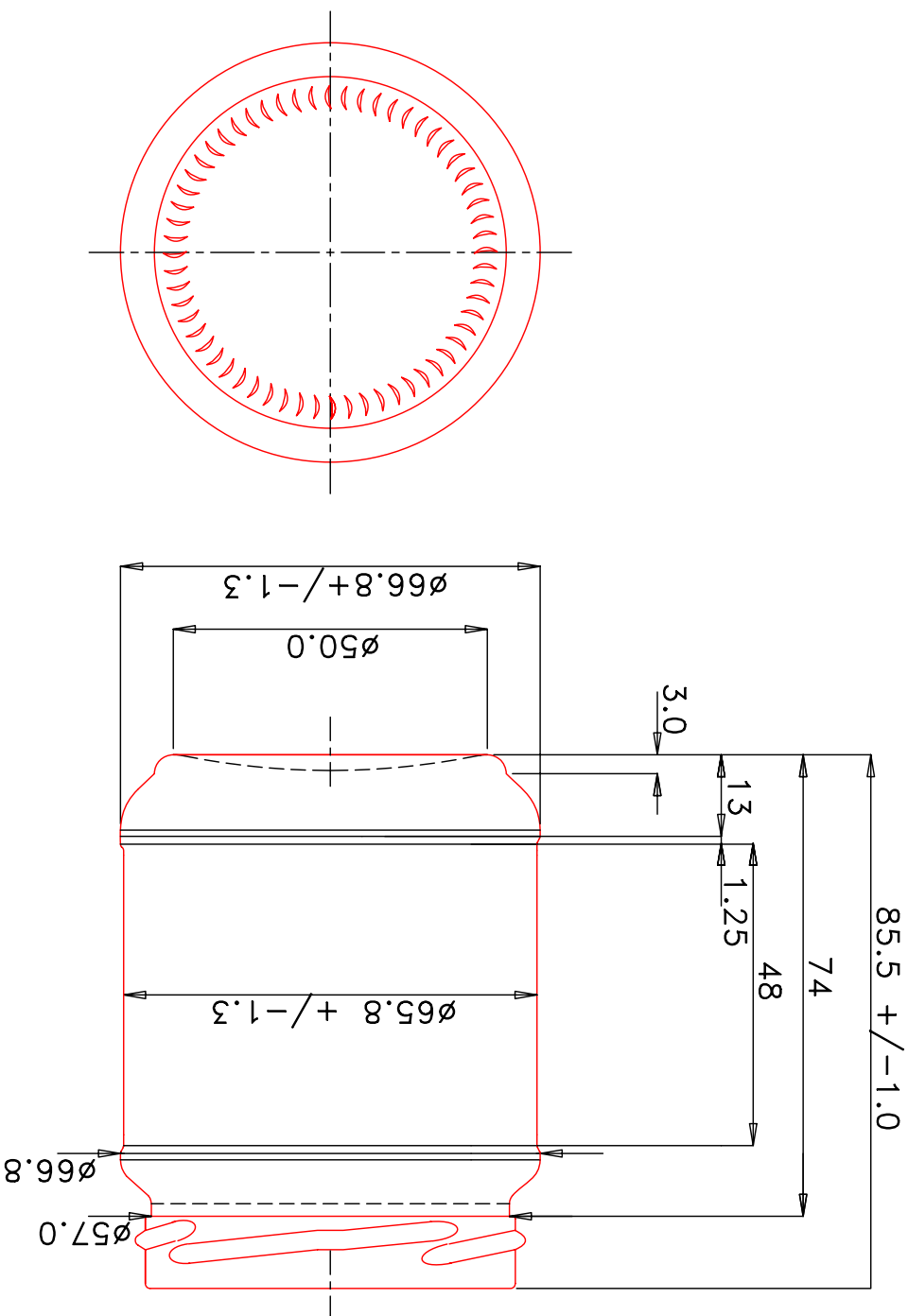


DO NOT SCALE DRAWING

PHOENICIA GLASSWORKS LTD



All rights relating to this design and any other design, sample or product drawn, manufactured or derived therefrom are reserved to Israel Glass Works "PHOENICIA LTD". No part of the above or any proprietary information related thereto may be reproduced, transmitted or used in any form or by any means, without the prior written consent of Israel Glass Work "PHOENICIA".

FILL LINE CAPACITY	212	±	mls.	FILL HEIGHT	T.O.65mm	FD-138	WEIGHT	140+/-10	gms	DRAWN	CHECKED	DATE	1
CAPACITY LEVEL FULL	212+/-7		mls.	FINISH			COLOUR	FLINT		b.z.s	s.b.z	20/4/03	
				REF.No.				CONTAINER					
					M1955-518			212 ml.JAR					
													DRG.No. 1364-518

REVISIONS