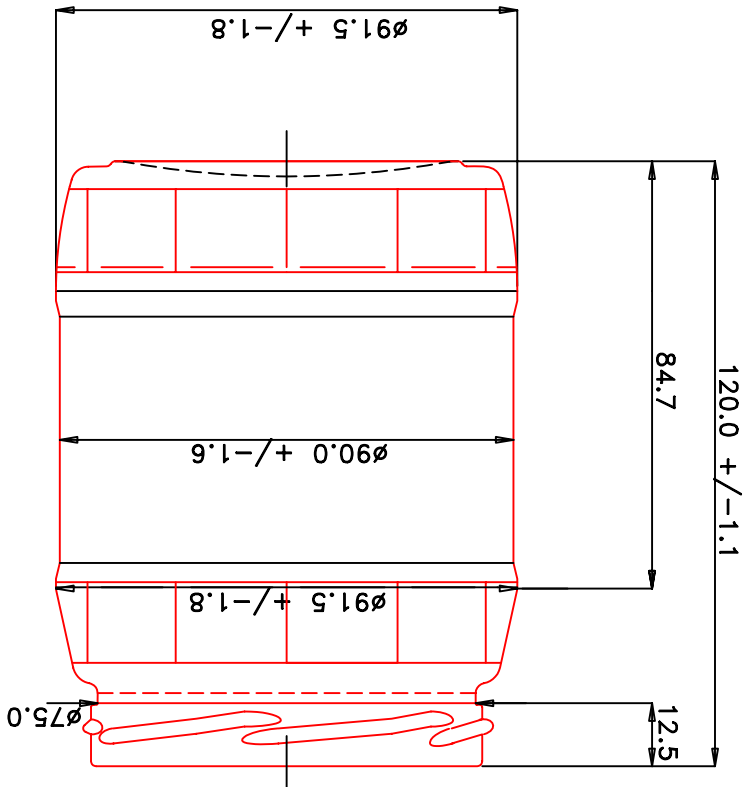


DO NOT SCALE DRAWING


PHOENICIA GLASSWORKS LTD



FILL LINE CAPACITY	560	±	mls.	FILL HEIGHT	T.O.82mm	FD130	R.T.O	WEIGHT	300+/-20	gms	DRAWN	CHECKED	DATE	1
CAPACITY LEVEL FULL	580+/-15		mls.	FINISH	REF.No.			COLOUR	FLINT		b.z.s	S.B.Z	3/12/02	
CONTAINER											DRG.No. 1342-524			
580 ml. JAR														